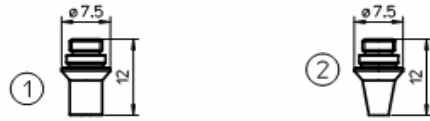
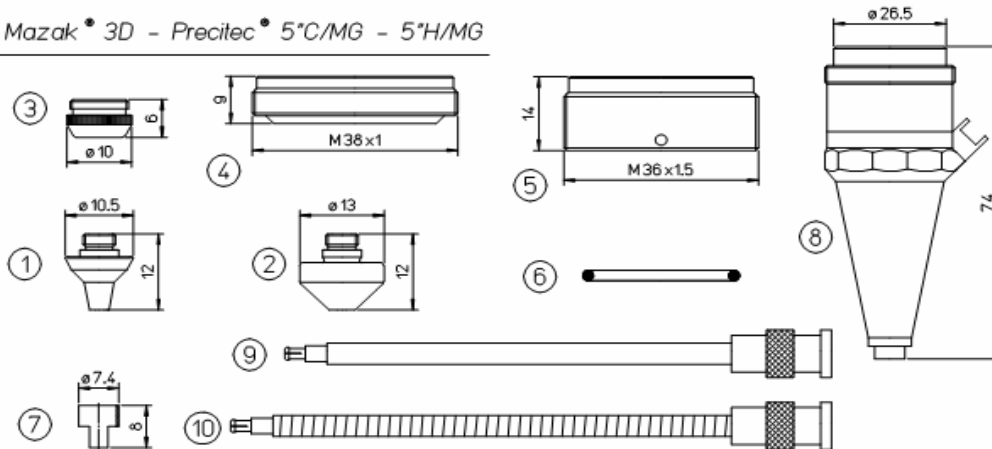


**PRECITEC®**  
ADIGE® MAZAK® ESAB®



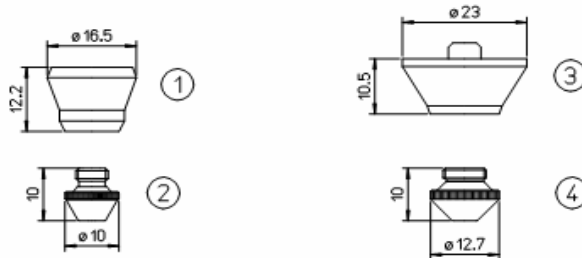
| Picture #                | Part Number              | DESCRIPTION            |
|--------------------------|--------------------------|------------------------|
| 1                        | 281005-P0352-323-00010   | MAZAK® NOZZLE Ø 1.0 ZK |
|                          | 281005-P0352-323-00010   | MAZAK® NOZZLE Ø 1.0 ZK |
|                          | 281034-P0352-324-00012   | MAZAK® NOZZLE Ø 1.2 ZK |
|                          | 281034-P0352-324-00012   | MAZAK® NOZZLE Ø 1.2 ZK |
|                          | 281013-P0352-325-00015   | MAZAK® NOZZLE Ø 1.5 ZK |
|                          | 281013-P0352-325-00015   | MAZAK® NOZZLE Ø 1.5 ZK |
|                          | 280899-P0352-326-00018   | MAZAK® NOZZLE Ø 1.8 ZK |
|                          | 280899-P0352-326-00018   | MAZAK® NOZZLE Ø 1.8 ZK |
|                          | 350044.3-P0352-327-00020 | MAZAK® NOZZLE Ø 2.0 ZK |
|                          | 350044.3-P0352-327-00020 | MAZAK® NOZZLE Ø 2.0 ZK |
|                          | P0352-328-00025          | MAZAK® NOZZLE Ø 2.5 ZK |
| 350044.3-P0352-327-00020 | MAZAK® NOZZLE Ø 2.5 ZK   |                        |
| 2                        | 281006-P0352-333-00010   | MAZAK® NOZZLE Ø 1.0 KK |
|                          | 281006-P0352-333-00010   | MAZAK® NOZZLE Ø 1.0 KK |
|                          | 281030-P0352.334.00012   | MAZAK® NOZZLE Ø 1.2 KK |
|                          | 281030-P0352.334.00012   | MAZAK® NOZZLE Ø 1.2 KK |
|                          | 281031-P0352.335.00015   | MAZAK® NOZZLE Ø 1.5 KK |
|                          | 281031-P0352.335.00015   | MAZAK® NOZZLE Ø 1.5 KK |
|                          | 280898-P0352.336.00018   | MAZAK® NOZZLE Ø 1.8 KK |
|                          | 280898-P0352.336.00018   | MAZAK® NOZZLE Ø 1.8 KK |
|                          | P0352.336.00020          | MAZAK® NOZZLE Ø 2.0 KK |
|                          | P0352.336.00020          | MAZAK® NOZZLE Ø 2.0 KK |

Mazak® 3D - Precitec® 5°C/MG - 5°H/MG



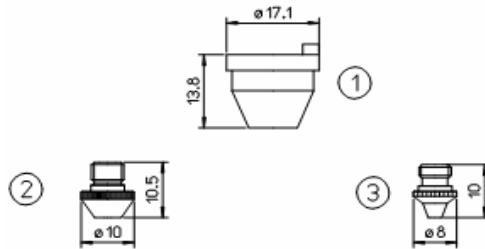
| Picture # | Part Number    | DESCRIPTION            |
|-----------|----------------|------------------------|
|           | 46713300290-10 | MAZAK® NOZZLE 3D Ø 1.0 |
|           | 46713300290-10 | MAZAK® NOZZLE 3D Ø 1.0 |
|           | 46713300290-12 | MAZAK® NOZZLE 3D Ø 1.2 |

|                             |                                |   |
|-----------------------------|--------------------------------|---|
| 1                           | 46713300290-12                 | MAZAK® NOZZLE 3D Ø 1.2                                |
|                             | 46713300290-15-P0352-381-00015 | MAZAK® NOZZLE 3D Ø 1.5                                |
|                             | 46713300290-15-P0352-381-00015 | MAZAK® NOZZLE 3D Ø 1.5                                |
|                             |                                | MAZAK® NOZZLE 3D Ø 1.8                                |
|                             |                                | MAZAK® NOZZLE 3D Ø 1.8                                |
|                             | 46713300310-P0352-382-00020    | MAZAK® NOZZLE 3D Ø 2.0                                |
|                             | 46713300310-P0352-382-00020    | MAZAK® NOZZLE 3D Ø 2.0                                |
|                             | 46713300280-25                 | MAZAK® NOZZLE 3D Ø 2.5                                |
|                             | 46713300280-25                 | MAZAK® NOZZLE 3D Ø 2.5                                |
|                             | 46713300280-30                 | MAZAK® NOZZLE 3D Ø 3.0                                |
|                             | 46713300280-30                 | MAZAK® NOZZLE 3D Ø 3.0                                |
|                             | 46713300280-35                 | MAZAK® NOZZLE 3D Ø 3.5                                |
|                             | 46713300280-35                 | MAZAK® NOZZLE 3D Ø 3.5                                |
|                             | 2                              |   |
|                             |                                | MAZAK® NOZZLE Ø 1.0 2D                                |
| 46713300310                 |                                | MAZAK® NOZZLE Ø 1.2 2D                                |
| 46713300310                 |                                | MAZAK® NOZZLE Ø 1.2 2D                                |
| P0352-386-00015             |                                | MAZAK® NOZZLE Ø 1.5 2D                                |
| P0352-386-00015             |                                | MAZAK® NOZZLE Ø 1.5 2D                                |
|                             |                                | MAZAK® NOZZLE Ø 1.8 2D                                |
|                             |                                | MAZAK® NOZZLE Ø 1.8 2D                                |
| 46713300300-P0352-387-00020 |                                | MAZAK® NOZZLE Ø 2.0 2D                                |
| 46713300300-P0352-387-00020 |                                | MAZAK® NOZZLE Ø 2.0 2D                                |
| 46713300300-25              |                                | MAZAK® NOZZLE Ø 2.5 2D                                |
| 46713300300-25              |                                | MAZAK® NOZZLE Ø 2.5 2D                                |
| 46713300300-30              |                                | MAZAK® NOZZLE Ø 3.0 2D                                |
| 46713300300-30              |                                | MAZAK® NOZZLE Ø 3.0 2D                                |
| 3                           | 46713300321-P0352-311-00001    | MAZAK® VESPEL NUT - SPACE GEAR                        |
| 4                           | PO492-702-00001                | PRECITEC® INSULATING RING - plastic                   |
| 5                           | 46713330200                    | MAZAK® 5-AXIS INSULATOR                               |
| 6                           | 71366453                       | AMADA® O'RING FOR NOZZLE OUTER                        |
| 7                           |                                | PRECITEC® INSULATOR COLLAR                            |
| 8                           | PO354-130-00001                | PRECITEC® ORIG. NOZZLE BODY SE M1.5 HN Z/M            |
|                             | PO354-110-00001/00002          | MAZAK® ORIG. NOZZLE BODY SE M1,5" HN Z - WATER COOLED |
| 9                           | PO360-100-00500 - 46713300100  | PRECITEC® ORIG. SENSOR CABLE KE 500 Z                 |
| 10                          | 281386 P0360-155-00500         | MAZAK® ELECTRODE CABLE                                |



| <b>5"K SENSOR SYSTEM</b> |                          |  |
|--------------------------|--------------------------|--|
| 1                        | 280040 - P0492-752-00001 | PRECITEC® ORIG. NOZZLE HOLDER KT M1.5" K |
| 2                        | 280048-P0492-853-00010   | PRECITEC® NOZZLE Ø 1.0                   |
|                          | 280048-P0492-853-00010   | PRECITEC® NOZZLE Ø 1.0                   |
|                          | 280049-P0492-854-00012   | PRECITEC® NOZZLE Ø 1.2                   |
|                          | 280049-P0492-854-00012   | PRECITEC® NOZZLE Ø 1.2                   |
|                          | 280050-P0492-855-00015   | PRECITEC® NOZZLE Ø 1.5                   |
|                          | 280050-P0492-855-00015   | PRECITEC® NOZZLE Ø 1.5                   |

|                             |                             |   |
|-----------------------------|-----------------------------|---|
|                             | 280050                      | PRECITEC® NOZZLE Ø 2.0                        |
|                             | 280050                      | PRECITEC® NOZZLE Ø 2.0                        |
| <b>2.5"CM SENSOR SYSTEM</b> |                             |   |
| 3                           | 281079-P0492-430-00003-W149 | PRECITEC® ORIG. NOZZLE HOLDER KT M1.5" S F2.5 |
| 4                           | 280013-P0492-441-00008      | PRECITEC® FP NOZZLE Ø 0.8                     |
|                             | 280013-P0492-441-00008      | PRECITEC® FP NOZZLE Ø 0.8                     |
|                             | 280014-P0492-442-00010-W223 | PRECITEC® FP NOZZLE Ø 1.0                     |
|                             | 280014-P0492-442-00010-W223 | PRECITEC® FP NOZZLE Ø 1.0                     |
|                             | 280015-P0492-443-00012      | PRECITEC® FP NOZZLE Ø 1.2                     |
|                             | 280015-P0492-443-00012      | PRECITEC® FP NOZZLE Ø 1.2                     |
|                             | 280016-P0492-444-00015-W224 | PRECITEC® FP NOZZLE Ø 1.5                     |
|                             | 280016-P0492-444-00015-W224 | PRECITEC® FP NOZZLE Ø 1.5                     |
|                             | P0492-447-00018             | PRECITEC® FP NOZZLE Ø 1.8                     |
|                             | P0492-447-00018             | PRECITEC® FP NOZZLE Ø 1.8                     |
|                             | 280937-P0492-445-00020-W225 | PRECITEC® FP NOZZLE Ø 2.0                     |
|                             | 280937-P0492-445-00020-W225 | PRECITEC® FP NOZZLE Ø 2.0                     |
|                             | P0492-448-00023             | PRECITEC® FP NOZZLE Ø 2.3                     |
|                             | P0492-448-00023             | PRECITEC® FP NOZZLE Ø 2.3                     |
|                             | 281791-P0492-446-00025-W226 | PRECITEC® FP NOZZLE Ø 2.5                     |
|                             | 281791-P0492-446-00025-W226 | PRECITEC® FP NOZZLE Ø 2.5                     |
|                             |                             | PRECITEC® FP NOZZLE Ø 3.0                     |
|                             | PRECITEC® FP NOZZLE Ø 3.0   |   |

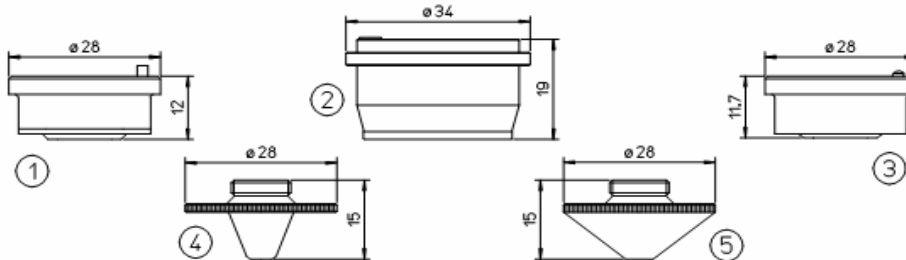


| Picture #                 | Part Number                   | DESCRIPTION                             |
|---------------------------|-------------------------------|---|
| <b>5"KN SENSOR SYSTEM</b> |                               |   |
| 1                         | 280408-092405                 | TRUMPF® ORIG. NOZZLE HOLDER KT M1.5" KN |
| 2                         | 280551-P0494-853-00010        | PRECITEC® NOZZLE Ø 1.0                  |
|                           | 280551-P0494-853-00010        | PRECITEC® NOZZLE Ø 1.0                  |
|                           | 280552-P0494-854-00012        | PRECITEC® NOZZLE Ø 1.2                  |
|                           | 280552-P0494-854-00012        | PRECITEC® NOZZLE Ø 1.2                  |
|                           | 280553-P0494-855-00015        | PRECITEC® NOZZLE Ø 1.5                  |
|                           | 280553-P0494-855-00015        | PRECITEC® NOZZLE Ø 1.5                  |
|                           | 280554-P0494-855-00017        | PRECITEC® NOZZLE Ø 1.7                  |
|                           | 280553-P0494-855-00015        | PRECITEC® NOZZLE Ø 1.7                  |
|                           | 280555-P0494-855-00020        | PRECITEC® NOZZLE Ø 2.0                  |
| 280553-P0494-855-00015    | PRECITEC® NOZZLE Ø 2.0        |   |
| 3                         | 280943-P0494-787-00010        | PRECITEC® NOZZLE Ø 1.0 KN TAK           |
|                           | 280943-P0494-787-00010        | PRECITEC® NOZZLE Ø 1.0 KN TAK           |
|                           | 280942-P0494-788-00012        | PRECITEC® NOZZLE Ø 1.2 KN TAK           |
|                           | 280942-P0494-788-00012        | PRECITEC® NOZZLE Ø 1.2 KN TAK           |
|                           | 280941-P0494-789-00015        | PRECITEC® NOZZLE Ø 1.5 KN TAK           |
|                           | 280941-P0494-789-00015        | PRECITEC® NOZZLE Ø 1.5 KN TAK           |
|                           |                               | PRECITEC® NOZZLE Ø 1.8 KN TAK           |
|                           |                               | PRECITEC® NOZZLE Ø 1.8 KN TAK           |
|                           |                               | PRECITEC® NOZZLE Ø 2.0 KN TAK           |
|                           | PRECITEC® NOZZLE Ø 2.0 KN TAK |   |

## PRECITEC®

ADIGE®.ADIRA®.BALLIU®.CR ELECTRONIC®.ESAB®.FINN-POWER®.

GHT®.LASERMAK®.RAINER®.SALVAGNINI®.

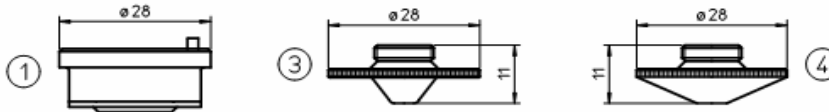


| Picture # | Part Number               | DESCRIPTION                                 |
|-----------|---------------------------|---|
| 1         | 281330-P0571-260-00001    | PRECITEC® ORIG. NOZZLE HOLDER KT B2"        |
|           | 281330-P0571-260-00001    | PRECITEC® NOZZLE HOLDER KT B2" WITH CHAMFER |
|           | 281330 - P0571-260-00001  | PRECITEC® NOZZLE HOLDER KT B2" FLAT PLATE   |
| 2         |                           | CR ELECTRONIC® NOZZLE HOLDER                |
| 3         | 281518-PO571-265-00001    | PRECITEC® ORIG. NOZZLE HOLDER IT B2" Z      |
| 4         | 281590-P0591-569-00008    | PRECITEC® NOZZLE Ø 0.8                      |
|           | 281331-P0591-561-00010    | PRECITEC® NOZZLE Ø 1.0                      |
|           | 281351-P0591-562-00012    | PRECITEC® NOZZLE Ø 1.25                     |
|           | 281352-P0591-563-00015    | PRECITEC® NOZZLE Ø 1.5                      |
|           |                           | PRECITEC® NOZZLE Ø 1.7                      |
|           | 281352-P0591-564-00018    | PRECITEC® NOZZLE Ø 1.8                      |
|           | 281354-P591-565-00020     | PRECITEC® NOZZLE Ø 2.0                      |
|           |                           | PRECITEC® NOZZLE Ø 2.3                      |
|           | 281591-P0591-566-00025    | PRECITEC® NOZZLE Ø 2.5                      |
|           |                           | PRECITEC® NOZZLE Ø 3.0                      |
|           |                           |   |
|           | 281590-P0591-569-00008    | PRECITEC® NOZZLE Ø 0.8 CP                   |
|           | 281331-P0591-561-00010    | PRECITEC® NOZZLE Ø 1.0 CP                   |
|           | 281351-P0591-562-00012    | PRECITEC® NOZZLE Ø 1.25 CP                  |
|           | 281352-P0591-563-00015    | PRECITEC® NOZZLE Ø 1.5 CP                   |
|           |                           | PRECITEC® NOZZLE Ø 1.7 CP                   |
|           | 281352-P0591-564-00018    | PRECITEC® NOZZLE Ø 1.8 CP                   |
|           | 281354-P591-565-00020     | PRECITEC® NOZZLE Ø 2.0 CP                   |
|           |                           | PRECITEC® NOZZLE Ø 2.3 CP                   |
|           | 281591-P0591-566-00025    | PRECITEC® NOZZLE Ø 2.5 CP                   |
|           | PRECITEC® NOZZLE Ø 3.0 CP |   |
| 5         | 281548-P0591-571-00010    | PRECITEC® NOZZLE Ø 1.0 HD                   |
|           | 281549-P0591-572-00012    | PRECITEC® NOZZLE Ø 1.25 HD                  |
|           | 281463-P0591-573-00015    | PRECITEC® NOZZLE Ø 1.5 HD                   |
|           |                           | PRECITEC® NOZZLE Ø 1.8 HD                   |
|           | 281550-P0591-575-00020    | PRECITEC® NOZZLE Ø 2.0 HD                   |
|           |                           | PRECITEC® NOZZLE Ø 2.3 HD                   |
|           | 281551-P0591-576-00025    | PRECITEC® NOZZLE Ø 2.5 HD                   |
|           |                           | PRECITEC® NOZZLE Ø 2.75 HD                  |
|           |                           | PRECITEC® NOZZLE Ø 3.0 HD                   |
|           |                           |   |
|           | 281548-P0591-571-00010    | PRECITEC® NOZZLE Ø 1.0 HD CP                |
|           | 281549-P0591-572-00012    | PRECITEC® NOZZLE Ø 1.25 HD CP               |

|                        |                               |
|------------------------|-------------------------------|
| 281463-P0591-573-00015 | PRECITEC® NOZZLE Ø 1.5 HD CP  |
|                        | PRECITEC® NOZZLE Ø 1.8 HD CP  |
| 281550-P0591-575-00020 | PRECITEC® NOZZLE Ø 2.0 HD CP  |
|                        | PRECITEC® NOZZLE Ø 2.3 HD CP  |
| 281551-P0591-576-00025 | PRECITEC® NOZZLE Ø 2.5 HD CP  |
|                        | PRECITEC® NOZZLE Ø 2.75 HD CP |
|                        | PRECITEC® NOZZLE Ø 3.0 HD CP  |

## PRECITEC®

ADIGE® .BALLIU® .CR ELECTRONIC® .ESAB® .FINN-POWER® .GHT® .SALVAGNINI®

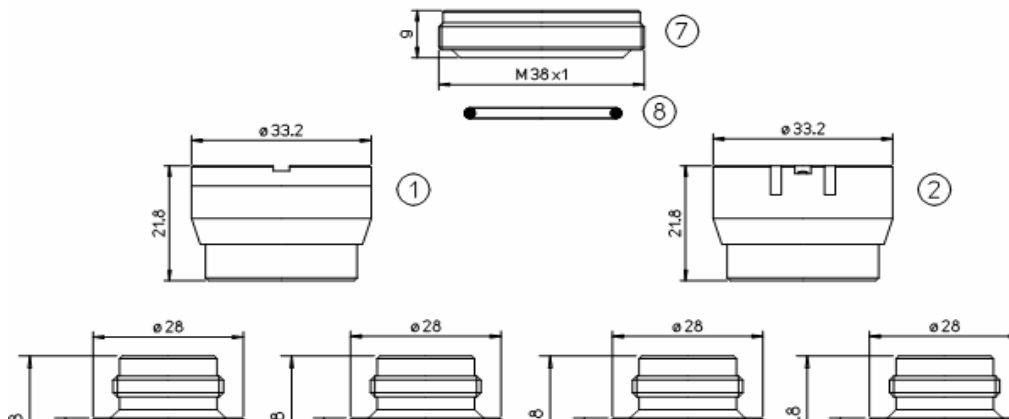


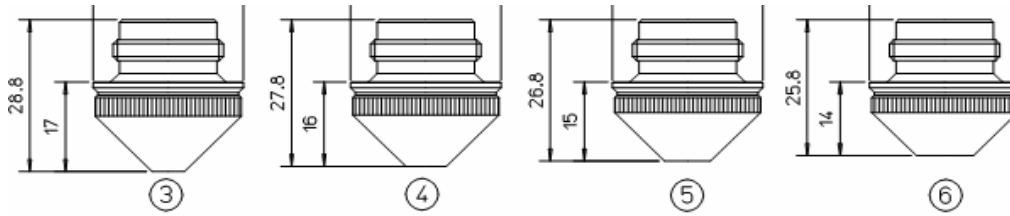
| Picture # | Part Number              | DESCRIPTION                                 |
|-----------|--------------------------|---|
| 1         | 281330-P0571-260-00001   | PRECITEC® ORIG. NOZZLE HOLDER KT B2"        |
|           | 281330-P0571-260-00001   | PRECITEC® NOZZLE HOLDER KT B2" WITH CHAMFER |
|           | 281330 - P0571-260-00001 | PRECITEC® NOZZLE HOLDER KT B2" FLAT PLATE   |
| 3         | 281340-P0571-281-00010   | PRECITEC® NOZZLE Ø 1.0                      |
|           | 281341-P0571-282-00012   | PRECITEC® NOZZLE Ø 1.2                      |
|           | 281342-P0571-283-00015   | PRECITEC® NOZZLE Ø 1.5                      |
|           | 281342-P0571-284-00018   | PRECITEC® NOZZLE Ø 1.8                      |
|           | 281343-P0571-285-00020   | PRECITEC® NOZZLE Ø 2.0                      |
|           | 281344-P0571-286-00025   | PRECITEC® NOZZLE Ø 2.5                      |
| 4         | 281599-P0571-291-00010   | PRECITEC® NOZZLE Ø 1.0                      |
|           | P0571-292-00012          | PRECITEC® NOZZLE Ø 1.2                      |
|           | 281570-P0571-293-00015   | PRECITEC® NOZZLE Ø 1.5                      |
|           |                          | PRECITEC® NOZZLE Ø 1.8                      |
|           | 281571-P0571-295-00020   | PRECITEC® NOZZLE Ø 2.0                      |
|           | 281572-P0571-297-00025   | PRECITEC® NOZZLE Ø 2.5                      |

## PRECITEC®

ADIGE® BALLIU® ESAB® FINN-POWER®

### 5" DXN - 5" DL SENSOR SYSTEM





| Picture # | Part Number            | DESCRIPTION  |
|-----------|------------------------|--|
| 1         | 280565-P0497-605-00001 | PRECITEC® ORIG. NOZ. HOLDER KT M1.5"DXN - CERAMIC  |
| 2         | 281146-PO380-211-00001 | PRECITEC® ORIG. NOZ. HOLDER IT M1.5" DZ - ALUMINUM |
|           | 281146-PO380-211-00001 | PRECITEC® NOZZLE HOLDER IT M1.5" DZ - ALUMINUM     |
| 3         | 280029-P0492-628-00010 | PRECITEC® NOZZLE Ø 1.0                             |
|           | 280030-P0492-629-00012 | PRECITEC® NOZZLE Ø 1.2                             |
| 4         | 280028-P0492-627-00015 | PRECITEC® NOZZLE Ø 1.5                             |
| 5         | 281384-P0492-630-00017 | PRECITEC® NOZZLE Ø 1.7                             |
|           | 280027-P0492-626-00020 | PRECITEC® NOZZLE Ø 2.0                             |
| 6         | 280026-P0492-625-00025 | PRECITEC® NOZZLE Ø 2.5                             |
| 7         | PO492-702-00002        | PRECITEC® INSULATING RING                          |
| 8         | 71366453               | AMADA® O'RING FOR NOZZLE OUTER                     |