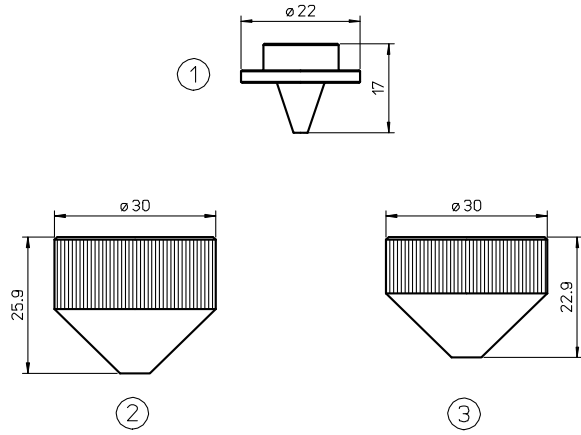
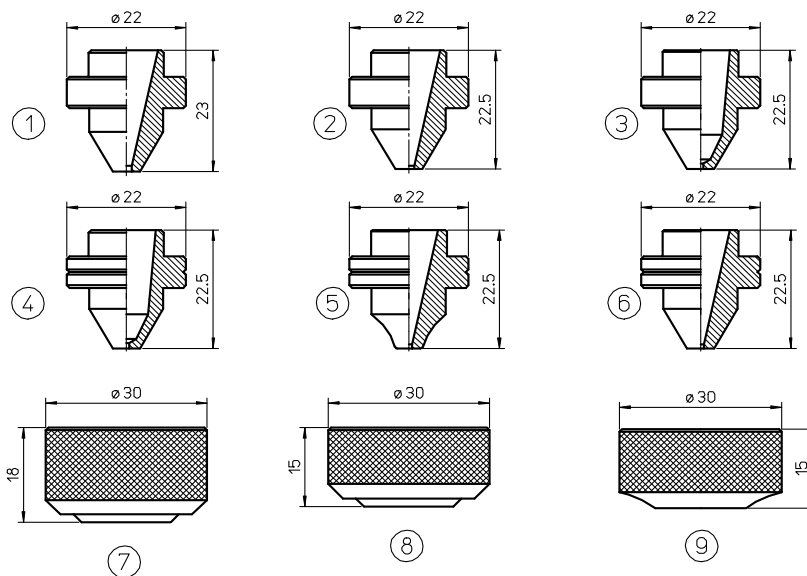


**MITSUBISHI®**

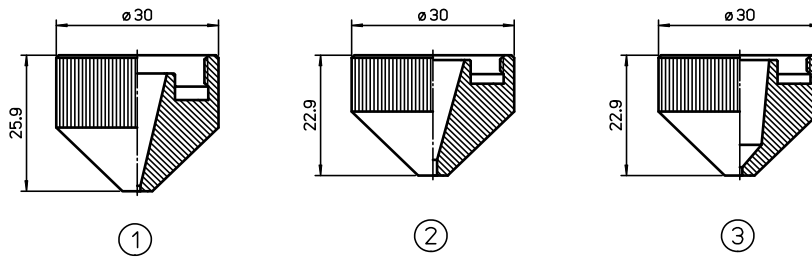


Picture #	ORIGINAL CODE	DESCRIPTION
1	W390	MITSUBISHI® DOUBLE NOZZLE 4 HOLES
	W270-6	MITSUBISHI® DOUBLE NOZZLE 6 HOLES
	W270	MITSUBISHI® DOUBLE NOZZLE 8 HOLES
	W387	MITSUBISHI® DOUBLE NOZZLE 12 HOLES
	W388	MITSUBISHI® DOUBLE NOZZLE 16 HOLES
	W389	MITSUBISHI® DOUBLE NOZZLE 20 HOLES
	W515	MITSUBISHI® DOUBLE NOZZLE 24 HOLES
2	W269	MITSUBISHI® DOUBLE NOZZLE TIP
3	71800027 - BQ933D221H04	AMADA® - MITSUBISHI® SHIELD CUP SHORT



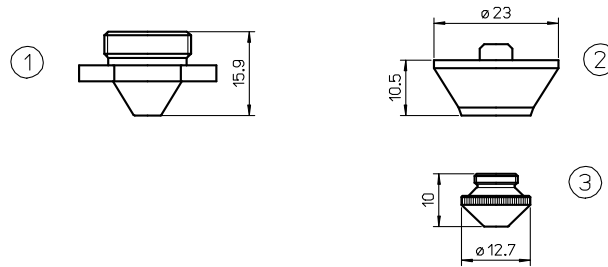
Picture #	ORIGINAL CODE	DESCRIPTION
-----------	---------------	-------------

Picture #	ORIGINAL CODE	DESCRIPTION
1	W777	MITSUBISHI® NOZZLE Ø 1.0
	W266	MITSUBISHI® NOZZLE Ø 1.2
	W267	MITSUBISHI® NOZZLE Ø 1.5
	W776	MITSUBISHI® NOZZLE Ø 2.0
	W776	MITSUBISHI® NOZZLE Ø 2.5
	W268	MITSUBISHI® NOZZLE Ø 3.0
	W268-3.5	MITSUBISHI® NOZZLE Ø 3.5
2	71800018 - BQ943D157F- AMADA® -	MITSUBISHI® NOZZLE Ø 1.5
	71800019 - BQ943D157F- AMADA® -	MITSUBISHI® NOZZLE Ø 2.0
	71800020 - BQ943D157F- AMADA® -	MITSUBISHI® NOZZLE Ø 2.5
	71800021 - BQ943D157H AMADA® -	MITSUBISHI® NOZZLE Ø 3.0
	71800022 - BQ943D596F- AMADA® -	MITSUBISHI® NOZZLE Ø 3.5
3	71800016- BQ943D897H01-	AMADA® - MITSUBISHI® HV NOZZLE Ø1.0
	W18Q93309101	AMADA® - MITSUBISHI® HV NOZZLE Ø2.5
	W18Q93309102	AMADA® - MITSUBISHI® HV NOZZLE Ø3.0
4		MITSUBISHI® NOZZLE Ø1.0
		MITSUBISHI® NOZZLE Ø 1.2
		MITSUBISHI® NOZZLE Ø 1.5
		MITSUBISHI® NOZZLE Ø 1.7
		MITSUBISHI® NOZZLE Ø 2.0
		MITSUBISHI® NOZZLE Ø 2.5
5	71800017- BQ943D269H01-	AMADA® - MITSUBISHI HV NOZZLE Ø 1.2 WITH RADIUS
6	W18Q93302701	AMADA® - MITSUBISHI® HV NOZZLE Ø1.7
7	W263	MITSUBISHI® NOZZLE NUT
8		MITSUBISHI® NOZZLE NUT SHORT
9	71800026 - BQ933D94HC AMADA® -	MITSUBISHI® NOZZLE NUT SHORT



Picture #	ORIGINAL CODE	DESCRIPTION
1	W1249	MITSUBISHI® SHIELD NOZZLE Ø 1.0
	W1256	MITSUBISHI® SHIELD NOZZLE Ø 1.2
	W1250	MITSUBISHI® SHIELD NOZZLE Ø 1.5
	W1251	MITSUBISHI® SHIELD NOZZLE Ø 2.0
	W1252	MITSUBISHI® SHIELD NOZZLE Ø 2.5
	W1253	MITSUBISHI® SHIELD NOZZLE Ø 3.0
	W1254	MITSUBISHI® SHIELD NOZZLE Ø 3.5
	W1255	MITSUBISHI® SHIELD NOZZLE Ø 4.0

2	W1626	mitsubishi® NOZZLE Ø 1.0	
	W1627	mitsubishi® NOZZLE Ø 1.2	
	W1628	mitsubishi® NOZZLE Ø 1.5	
	W1629	mitsubishi® NOZZLE Ø 2.0	
	W1630	mitsubishi® NOZZLE Ø 2.5	
	W1664	mitsubishi® NOZZLE Ø 3.0	
	W1665	mitsubishi® NOZZLE Ø 3.5	
	W1666	mitsubishi® NOZZLE Ø 4.0	
	W1626	mitsubishi® NOZZLE Ø 1.0 CP	
	W1627	mitsubishi® NOZZLE Ø 1.2 CP	
	W1628	mitsubishi® NOZZLE Ø 1.5 CP	
	W1629	mitsubishi® NOZZLE Ø 2.0 CP	
	W1630	mitsubishi® NOZZLE Ø 2.5 CP	
	W1664	mitsubishi® NOZZLE Ø 3.0 CP	
	W1665	mitsubishi® NOZZLE Ø 3.5 CP	
	W1666	mitsubishi® NOZZLE Ø 4.0 CP	
3	W1626B	mitsubishi® NOZZLE Ø 1.0 LOW PRESSURE	
	W1627B	mitsubishi® NOZZLE Ø 1.2 LOW PRESSURE	
	W1628B	mitsubishi® NOZZLE Ø 1.5 LOW PRESSURE	
	W1629B	mitsubishi® NOZZLE Ø 2.0 LOW PRESSURE	
	W1630B	mitsubishi® NOZZLE Ø 2.5 LOW PRESSURE	
	W1664B	mitsubishi® NOZZLE Ø3.0 LOW PRESSURE	
	W1665B	mitsubishi® NOZZLE Ø3.5 LOW PRESSURE	
	W1666B	mitsubishi® NOZZLE Ø4.0 LOW PRESSURE	



Picture #	ORIGINAL CODE	DESCRIPTION
1		mitsubishi® NOZZLE Ø 1.0
	W001	mitsubishi® NOZZLE Ø 1.5
	W002	mitsubishi® NOZZLE Ø 2.0
	W004	mitsubishi® NOZZLE Ø 2.5
	W003	mitsubishi® NOZZLE Ø 3.0
2	281079-P0492-430-0000	PRECITEC® ORIG. NOZZLE HOLDER KT M1.5" S F2.5
	280013-P0492-441-0000	PRECITEC® FP NOZZLE Ø 0.8
	280014-P0492-442-0001	PRECITEC® FP NOZZLE Ø 1.0
	280015-P0492-443-0001	PRECITEC® FP NOZZLE Ø 1.2

3	280016-P0492-444-0001	PRECITEC® FP NOZZLE Ø 1.5
	P0492-447-00018	PRECITEC® FP NOZZLE Ø 1.8
	280937-P0492-445-0002	PRECITEC® FP NOZZLE Ø 2.0
	P0492-448-00023	PRECITEC® FP NOZZLE Ø 2.3
	281791-P0492-446-0002	PRECITEC® FP NOZZLE Ø 2.5
		PRECITEC® FP NOZZLE Ø 3.0