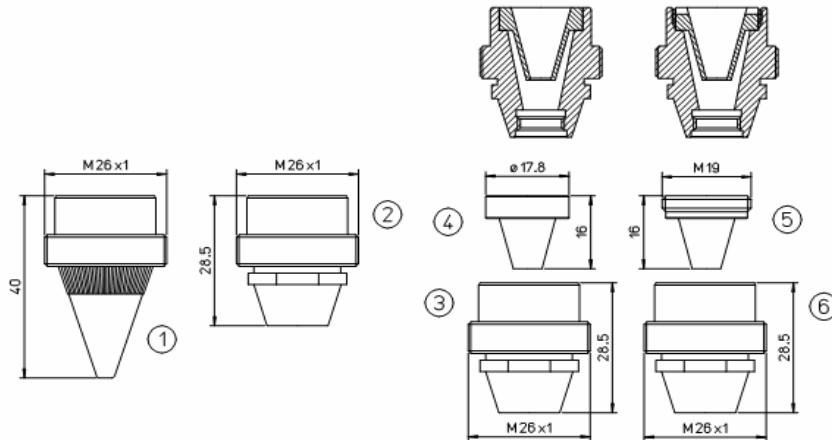
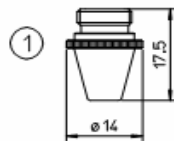


MAZAK®

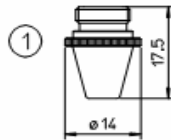


POS	ORIGINAL CODE	DESCRIPTION
1	46523300060	MAZAK® NOZZLE Ø 1.0
	46523300062	MAZAK® NOZZLE Ø 1.2
	46523300061	MAZAK® NOZZLE Ø 1.5
	46523300061	MAZAK® NOZZLE Ø 1.7
		MAZAK® NOZZLE Ø 1.8
	46523300063	MAZAK® NOZZLE Ø 2.0
	46523300063	MAZAK® NOZZLE Ø 2.5
2	46603350510	MAZAK® NOZZLE ADAPTER BODY
3	A.DESIGN	MAZAK® NOZZLE ADAPTER - A. DESIGN
4	A.DESIGN	MAZAK® INNER NOZZLE - A. DESIGN
5	A.DESIGN	MAZAK® INNER NOZZLE - A. DESIGN
6	A.DESIGN	MAZAK® NOZZLE ADAPTER - A. DESIGN



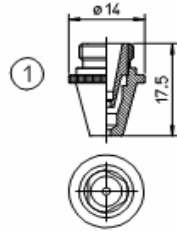
POS	ORIGINAL CODE	DESCRIPTION
	46603350508	MAZAK® NOZZLE Ø 0.8
	46603350508	MAZAK® NOZZLE Ø 0.8
	46603350511	MAZAK® NOZZLE Ø 1.0
	46603350511	MAZAK® NOZZLE Ø 1.0

1	46603350512	MAZAK® NOZZLE Ø 1.2
	46603350512	MAZAK® NOZZLE Ø 1.2
	4660335052B	MAZAK® NOZZLE Ø 1.5
	4660335052B	MAZAK® NOZZLE Ø 1.5
	46603350517	MAZAK® NOZZLE Ø 1.7
	46603350517	MAZAK® NOZZLE Ø 1.7
	46603350517-1,8	MAZAK® NOZZLE Ø 1.8
	46603350517-1,8	MAZAK® NOZZLE Ø 1.8
	4660335052C	MAZAK® NOZZLE Ø 2.0
	4660335052C	MAZAK® NOZZLE Ø 2.0
	46603350522-2,2	MAZAK® NOZZLE Ø 2.2
	46603350522-2,2	MAZAK® NOZZLE Ø 2.2
	46603350525	MAZAK® NOZZLE Ø 2.5
	46603350525	MAZAK® NOZZLE Ø 2.5
	46603350530	MAZAK® NOZZLE Ø 3.0
	46603350530	MAZAK® NOZZLE Ø 3.0
	46603350530-3,5	MAZAK® NOZZLE Ø 3.5
	46603350530-3,5	MAZAK® NOZZLE Ø 3.5
	46603350530-4,0	MAZAK® NOZZLE Ø 4.0
	46603350530-4,0	MAZAK® NOZZLE Ø 4.0
46603350530-4,5	MAZAK® NOZZLE Ø 4.5	
46603350530-4,5	MAZAK® NOZZLE Ø 4.5	
46603350530-5,0	MAZAK® NOZZLE Ø 5.0	
46603350530-5,0	MAZAK® NOZZLE Ø 5.0	

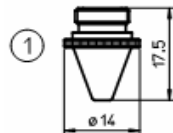


POS	ORIGINAL CODE	DESCRIPTION
1	46603350508	MAZAK® NOZZLE Ø 0.8 CP
	46603350508	MAZAK® NOZZLE Ø 0.8 CP
	46603350511	MAZAK® NOZZLE Ø 1.0 CP
	46603350511	MAZAK® NOZZLE Ø 1.0 CP
	46603350512	MAZAK® NOZZLE Ø 1.2 CP
	46603350512	MAZAK® NOZZLE Ø 1.2 CP
	4660335052B	MAZAK® NOZZLE Ø 1.5 CP
	4660335052B	MAZAK® NOZZLE Ø 1.5 CP
	46603350517	MAZAK® NOZZLE Ø 1.7 CP
	46603350517	MAZAK® NOZZLE Ø 1.7 CP
	46603350517-1,8	MAZAK® NOZZLE Ø 1.8 CP
	46603350517-1,8	MAZAK® NOZZLE Ø 1.8 CP
	4660335052C	MAZAK® NOZZLE Ø 2.0 CP
	4660335052C	MAZAK® NOZZLE Ø 2.0 CP
	46603350522-2,2	MAZAK® NOZZLE Ø 2.2 CP
	46603350522-2,2	MAZAK® NOZZLE Ø 2.2 CP
	46603350525	MAZAK® NOZZLE Ø 2.5 CP
	46603350525	MAZAK® NOZZLE Ø 2.5 CP
	46603350530	MAZAK® NOZZLE Ø 3.0 CP
	46603350530	MAZAK® NOZZLE Ø 3.0 CP
	46603350530-3,5	MAZAK® NOZZLE Ø 3.5 CP
	46603350530-3,5	MAZAK® NOZZLE Ø 3.5 CP
	46603350530-4,0	MAZAK® NOZZLE Ø 4.0 CP
	46603350530-4,0	MAZAK® NOZZLE Ø 4.0 CP
	46603350530-4,5	MAZAK® NOZZLE Ø 4.5 CP
	46603350530-4,5	MAZAK® NOZZLE Ø 4.5 CP

46603350530-5,0	MAZAK® NOZZLE Ø 5.0 CP
46603350530-5,0	MAZAK® NOZZLE Ø 5.0 CP

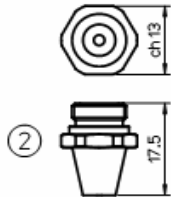


POS	ORIGINAL CODE	DESCRIPTION
	A. DESIGN	MAZAK® NOZZLE Ø 1.0 W/I
	A. DESIGN	MAZAK® NOZZLE Ø 1.0 W/I
	A. DESIGN	MAZAK® NOZZLE Ø 1.2 W/I
	A. DESIGN	MAZAK® NOZZLE Ø 1.2 W/I
	A. DESIGN	MAZAK® NOZZLE Ø 1.5 W/I
	A. DESIGN	MAZAK® NOZZLE Ø 1.5 W/I
	A. DESIGN	MAZAK® NOZZLE Ø 1.7 W/I
	A. DESIGN	MAZAK® NOZZLE Ø 1.7 W/I
	A. DESIGN	MAZAK® NOZZLE Ø 1.8 W/I
	A. DESIGN	MAZAK® NOZZLE Ø 1.8 W/I
	A. DESIGN	MAZAK® NOZZLE Ø 2.0 W/I
	A. DESIGN	MAZAK® NOZZLE Ø 2.0 W/I
	A. DESIGN	MAZAK® NOZZLE Ø 2.2 W/I
	A. DESIGN	MAZAK® NOZZLE Ø 2.2 W/I
	A. DESIGN	MAZAK® NOZZLE Ø 2.5 W/I
	A. DESIGN	MAZAK® NOZZLE Ø 2.5 W/I
	A. DESIGN	MAZAK® NOZZLE Ø 3.0 W/I
	A. DESIGN	MAZAK® NOZZLE Ø 3.0 W/I
1		
	A. DESIGN	MAZAK® NOZZLE Ø 1.0 CP W/I
	A. DESIGN	MAZAK® NOZZLE Ø 1.0 CP W/I
	A. DESIGN	MAZAK® NOZZLE Ø 1.2 CP W/I
	A. DESIGN	MAZAK® NOZZLE Ø 1.2 CP W/I
	A. DESIGN	MAZAK® NOZZLE Ø 1.5 CP W/I
	A. DESIGN	MAZAK® NOZZLE Ø 1.5 CP W/I
	A. DESIGN	MAZAK® NOZZLE Ø 1.7 CP W/I
	A. DESIGN	MAZAK® NOZZLE Ø 1.7 CP W/I
	A. DESIGN	MAZAK® NOZZLE Ø 1.8 CP W/I
	A. DESIGN	MAZAK® NOZZLE Ø 1.8 CP W/I
	A. DESIGN	MAZAK® NOZZLE Ø 2.0 CP W/I
	A. DESIGN	MAZAK® NOZZLE Ø 2.0 CP W/I
	A. DESIGN	MAZAK® NOZZLE Ø 2.2 CP W/I
	A. DESIGN	MAZAK® NOZZLE Ø 2.2 CP W/I
	A. DESIGN	MAZAK® NOZZLE Ø 2.5 CP W/I
	A. DESIGN	MAZAK® NOZZLE Ø 2.5 CP W/I
	A. DESIGN	MAZAK® NOZZLE Ø 3.0 CP W/I
	A. DESIGN	MAZAK® NOZZLE Ø 3.0 CP W/I



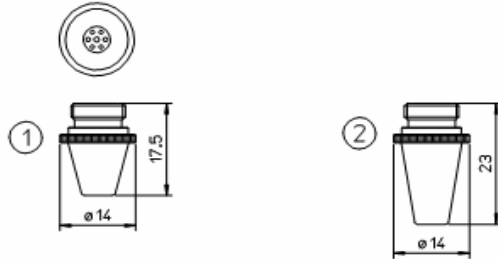
POS	ORIGINAL CODE	DESCRIPTION

1	46603350521	MAZAK® NOZZLE Ø 0.8
	46603350521	MAZAK® NOZZLE Ø 0.8
	46603350521	MAZAK® NOZZLE Ø 1.0
	46603350521	MAZAK® NOZZLE Ø 1.0
	46603350521	MAZAK® NOZZLE Ø 1.2
	46603350521	MAZAK® NOZZLE Ø 1.2
	46603350520	MAZAK® NOZZLE Ø 1.5
	46603350520	MAZAK® NOZZLE Ø 1.5
	46603350521	MAZAK® NOZZLE Ø 1.7
	46603350521	MAZAK® NOZZLE Ø 1.7
	46603350522	MAZAK® NOZZLE Ø 2.0
	46603350522	MAZAK® NOZZLE Ø 2.0
	46603350522	MAZAK® NOZZLE Ø 2.5
	46603350522	MAZAK® NOZZLE Ø 2.5
	46683301281	MAZAK® NOZZLE Ø 3.0
	46683301281	MAZAK® NOZZLE Ø 3.0
	46603350521	MAZAK® NOZZLE Ø 0.8 CP
	46603350521	MAZAK® NOZZLE Ø 0.8 CP
	46603350521	MAZAK® NOZZLE Ø 1.0 CP
	46603350521	MAZAK® NOZZLE Ø 1.0 CP
	46603350521	MAZAK® NOZZLE Ø 1.2 CP
	46603350521	MAZAK® NOZZLE Ø 1.2 CP
	46603350520	MAZAK® NOZZLE Ø 1.5 CP
	46603350520	MAZAK® NOZZLE Ø 1.5 CP
	46603350521	MAZAK® NOZZLE Ø 1.7 CP
	46603350521	MAZAK® NOZZLE Ø 1.7 CP
	46603350522	MAZAK® NOZZLE Ø 2.0 CP
	46603350522	MAZAK® NOZZLE Ø 2.0 CP
	46603350522	MAZAK® NOZZLE Ø 2.5 CP
	46603350522	MAZAK® NOZZLE Ø 2.5 CP
446683301281	MAZAK® NOZZLE Ø 3.0 CP	
46683301281	MAZAK® NOZZLE Ø 3.0 CP	

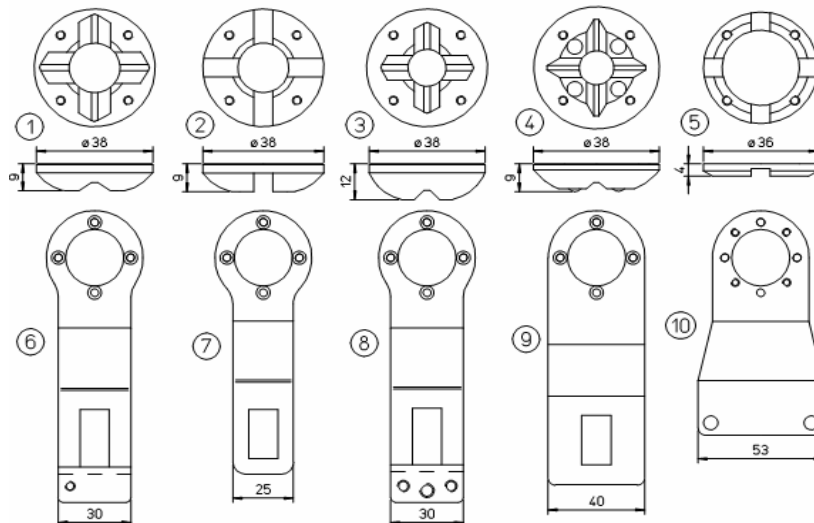


POS	ORIGINAL CODE	DESCRIPTION
2	46603350508	MAZAK® HEXAGONAL NOZZLE Ø 0.8
	46603350508	MAZAK® HEXAGONAL NOZZLE Ø 0.8
	46603350511	MAZAK® HEXAGONAL NOZZLE Ø 1.0
	46603350511	MAZAK® HEXAGONAL NOZZLE Ø 1.0
	4660335052A	MAZAK® HEXAGONAL NOZZLE Ø 1.2
	4660335052A	MAZAK® HEXAGONAL NOZZLE Ø 1.2
	4660335052B	MAZAK® HEXAGONAL NOZZLE Ø 1.5
	4660335052B	MAZAK® HEXAGONAL NOZZLE Ø 1.5
	46603350517	MAZAK® HEXAGONAL NOZZLE Ø 1.7
	46603350517	MAZAK® HEXAGONAL NOZZLE Ø 1.7
	46603350517-1,8	MAZAK® HEXAGONAL NOZZLE Ø 1.8
	46603350517-1,8	MAZAK® HEXAGONAL NOZZLE Ø 1.8
	4660335052C	MAZAK® HEXAGONAL NOZZLE Ø 2.0
	4660335052C	MAZAK® HEXAGONAL NOZZLE Ø 2.0
	46603350522-2,2	MAZAK® HEXAGONAL NOZZLE Ø 2.2
	46603350522-2,2	MAZAK® HEXAGONAL NOZZLE Ø 2.2
	4660335052D	MAZAK® HEXAGONAL NOZZLE Ø 2.5

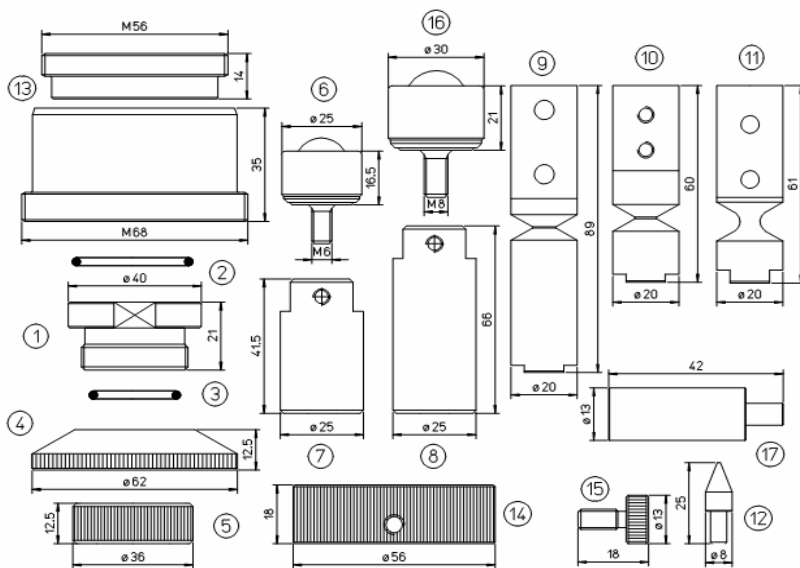
4660335052D	MAZAK® HEXAGONAL NOZZLE Ø 2.5
46603350530	MAZAK® HEXAGONAL NOZZLE Ø 3.0
46603350530	MAZAK® HEXAGONAL NOZZLE Ø 3.0
46603350530-3,5	MAZAK® HEXAGONAL NOZZLE Ø 3.5
46603350530-3,5	MAZAK® HEXAGONAL NOZZLE Ø 3.5
46603350530-4,0	MAZAK® HEXAGONAL NOZZLE Ø 4.0
46603350530-4,0	MAZAK® HEXAGONAL NOZZLE Ø 4.0
46603350530-4,5	MAZAK® HEXAGONAL NOZZLE Ø 4.5
46603350530-4,5	MAZAK® HEXAGONAL NOZZLE Ø 4.5



POS	ORIGINAL CODE	DESCRIPTION
1	46603350523	MAZAK® NOZZLE Ø 1.0 SHOWER
		MAZAK® NOZZLE Ø 1.5 SHOWER
		MAZAK® NOZZLE Ø 2.0 SHOWER
2		MAZAK® LONG NOZZLE Ø 2.0
		MAZAK® LONG NOZZLE Ø 2.5
		MAZAK® LONG NOZZLE Ø 3.0
		MAZAK® LONG NOZZLE Ø 1.5 CP
		MAZAK® LONG NOZZLE Ø 2.0 CP
		MAZAK® LONG NOZZLE Ø 2.5 CP
		MAZAK® LONG NOZZLE Ø 3.0 CP



POS	ORIGINAL CODE	DESCRIPTION
1	46602350080	MAZAK® STYLUS FOOT H9 - BRASS
		MAZAK® STYLUS FOOT H9 - BRASS CP
	46572301043	MAZAK® STYLUS FOOT H9 - STEEL
	46572301045	MAZAK® STYLUS FOOT H9 - TEFLON
2		MAZAK® STYLUS FOOT H9 - BRASS
		MAZAK® STYLUS FOOT H9 - BRASS CP
		MAZAK® STYLUS FOOT H9 - STEEL
3	46572301041	MAZAK® STYLUS FOOT H12 - BRASS
		MAZAK® STYLUS FOOT H12 BRASS CP
	46572301042	MAZAK® STYLUS FOOT H12 - STEEL
	46572301041	MAZAK® STYLUS FOOT H12 - TEFLON
4		MAZAK® STYLUS FOOT H9-BRASS WITH SPHERE
5	46512300520	MAZAK® STYLUS FOOT H4 - BRASS
6		MAZAK® STYLUS ARM WITH SCREW M4
	36602300580	MAZAK® STYLUS ARM WITH SCREW M6
7	36602300560-366823000	MAZAK® STEEL STYLUS ARM
8	36682300281	MAZAK® STYLUS ARM - STEEL
9	36602350020	MAZAK® STYLUS ARM - HIGHER VERSION
10	46522300250	MAZAK® STYLUS ARM

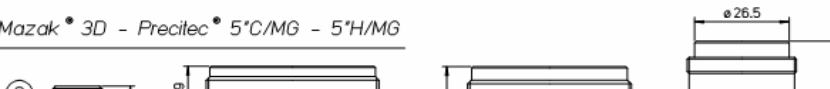


POS	ORIGINAL CODE	DESCRIPTION
1	46523300080	MAZAK® BASE

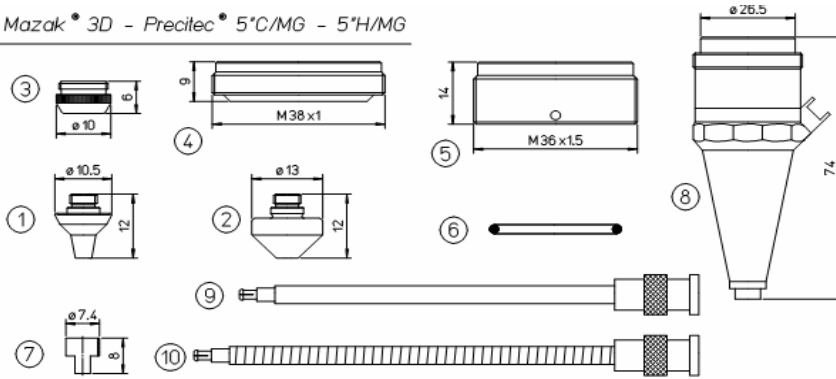


POS	ORIGINAL CODE	DESCRIPTION
1	46683301140	MAZAK® ALUMINIUM BODY
2	46683301110	MAZAK® CENTRAL COPPER BODY
3	46683300850	MAZAK® COPPER NOZZLE HOLDER
4	46683301170	MAZAK® CONTACT
5	46683301120	MAZAK® TEFLON SPACER 24x3
	46683301120	MAZAK® SPECIAL SPACER 24x3 - PLASTIC
	46683301120	MAZAK® CERAMIC SPACER 24x3
6	46683301130	MAZAK® TEFLON SPACER 24x4
	46683301130	MAZAK® SPECIAL SPACER 24x4 - PLASTIC
	46683301130	MAZAK® CERAMIC SPACER 24x4
7	46683301090	MAZAK® TEFLON SPACER 30x4
	46683301090	MAZAK® SPECIAL SPACER 30x4 - PLASTIC
	46683301090	MAZAK® CERAMIC SPACER 30x4
8	46683301080	MAZAK® TEFLON SPACER 27x5.5
	46683301080	MAZAK® SPECIAL SPACER 27x5.5 - PLASTIC
	46683301080	MAZAK® CERAMIC SPACER 27x5.5
9	46683301150	MAZAK® TEFLON SPACER 17x1.5
10	46683301160	MAZAK® COPPER RING 17x2
11	46683301100	MAZAK® COPPER NUT
12	46683301070	MAZAK® BRASS BASE
13	46683300030	MAZAK® CONNECTING TEFLON PIPE
14	J2600S03200	MAZAK® O-RING EXTERNAL BASE - RUBBER
15	46683301180	MAZAK® SCREW FOR CONTACT
16	46683301930	MAZAK® TEFLON PROTECTION
	46683301930	MAZAK® SPECIAL PROTECTION - PLASTIC
	46683301930	MAZAK® CERAMIC PROTECTION
17		MAZAK® CONNECTOR
18	A. DESIGN	MAZAK® CENTRAL COPPER BODY- A. PAT.
19	46683300000	MAZAK® SCREW FOR CONNECTORS(4 PCS)
20	46683301980	MAZAK® CONNECTING CABLE FOR SENSOR HEAD
	46683301330	MAZAK® CONNECTING CABLE SENSOR HEAD+3CM
21		MAZAK® CABLE ADAPTER
22	46683300032	MAZAK® MILD STEEL BOLT M5 X 0.5
23	46683300930	MAZAK® RING
		MAZAK® RING KIT - AL153 + 4 PCS AL152
24	46683301170	MAZAK® KIT CONNECTOR (AL76-88-127-113)
25		MAZAK® CONNECTOR ASSEMBLY
26	46683301841	MAZAK® TEFLON SPACER
27	46683301830	MAZAK® ADAPTER FOR TRUMPF® NOZZLE
28		see Nozzle Trumpf® section
29	46683301850	MAZAK® CONNECTOR COVER - TEFLON
	46683301850	MAZAK® CONNECTOR COVER LONG LIFE - PLASTIC
30	46683301860	MAZAK® CABLE CONNECTOR COVER - TEFLON
	46683301860	MAZAK® CABLE CONNECTOR COVER LONG LIFE PLASTIC
31	46683301870	MAZAK® COVER CLIPS - TEFLON
32	46683301230	MAZAK® PLATE
33		MAZAK® HEAD W/TEFLON SPACER
		MAZAK® HEAD W/LONG LIFE SPACER
		MAZAK® HEAD W/CERAMIC SPACER
34		MAZAK® HEAD W/TEFLON SPACER
		MAZAK® HEAD W/LONG LIFE SPACER
		MAZAK® HEAD W/CERAMIC SPACER
35		MAZAK® HEAD W/TEFLON SPACER
		MAZAK® HEAD W/LONG LIFE SPACER
		MAZAK® HEAD W/CERAMIC SPACER

Mazak® 3D - Precitec® 5°C/MG - 5"H/MG



Mazak® 3D - Precitec® 5°C/MG - 5°H/MG

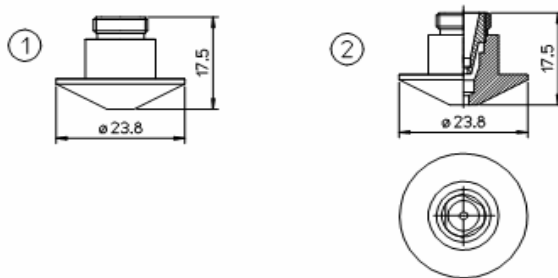


POS	ORIGINAL CODE	DESCRIPTION
1	46713300290-10	MAZAK® NOZZLE 3D Ø 1.0
	46713300290-10	MAZAK® NOZZLE 3D Ø 1.0
	46713300290-12	MAZAK® NOZZLE 3D Ø 1.2
	46713300290-12	MAZAK® NOZZLE 3D Ø 1.2
	46713300290-15-P0352-3	MAZAK® NOZZLE 3D Ø 1.5
	46713300290-15-P0352-3	MAZAK® NOZZLE 3D Ø 1.5
	0	MAZAK® NOZZLE 3D Ø 1.8
	0	MAZAK® NOZZLE 3D Ø 1.8
	46713300310-P0352-382	MAZAK® NOZZLE 3D Ø 2.0
	46713300310-P0352-382	MAZAK® NOZZLE 3D Ø 2.0
	46713300280-25	MAZAK® NOZZLE 3D Ø 2.5
	46713300280-25	MAZAK® NOZZLE 3D Ø 2.5
	46713300280-30	MAZAK® NOZZLE 3D Ø 3.0
	46713300280-30	MAZAK® NOZZLE 3D Ø 3.0
	46713300280-35	MAZAK® NOZZLE 3D Ø 3.5
46713300280-35	MAZAK® NOZZLE 3D Ø 3.5	
2	0	MAZAK® NOZZLE Ø 1.0 2D
	0	MAZAK® NOZZLE Ø 1.0 2D
	46713300310	MAZAK® NOZZLE Ø 1.2 2D
	46713300310	MAZAK® NOZZLE Ø 1.2 2D
	P0352-386-00015	MAZAK® NOZZLE Ø 1.5 2D
	P0352-386-00015	MAZAK® NOZZLE Ø 1.5 2D
	0	MAZAK® NOZZLE Ø 1.8 2D
	0	MAZAK® NOZZLE Ø 1.8 2D
	46713300300-P0352-387	MAZAK® NOZZLE Ø 2.0 2D
	46713300300-P0352-387	MAZAK® NOZZLE Ø 2.0 2D
	46713300300-25	MAZAK® NOZZLE Ø 2.5 2D
	46713300300-25	MAZAK® NOZZLE Ø 2.5 2D
	46713300300-30	MAZAK® NOZZLE Ø 3.0 2D
46713300300-30	MAZAK® NOZZLE Ø 3.0 2D	
3	46713300321-P0352-311	MAZAK® VESPEL NUT - SPACE GEAR
4	PO492-702-00001	PRECITEC® INSULATING RING - plastic
5	46713330200	MAZAK® 5-AXIS INSULATOR
6	71366453	AMADA® O-RING FOR NOZZLE OUTER
7		PRECITEC® INSULATOR COLLAR
8	PO354-130-00001	PRECITEC® ORIG. NOZZLE BODY SE M1.5 HN Z/M
	PO354-110-00001/00002	MAZAK® ORIG. NOZZLE BODY SE M1,5° HN Z - WATER COOLED
9	PO360-100-00500 - 4671	PRECITEC® ORIG. SENSOR CABLE KE 500 Z
10	281386 P0360-155-0050	MAZAK® ELECTRODE CABLE



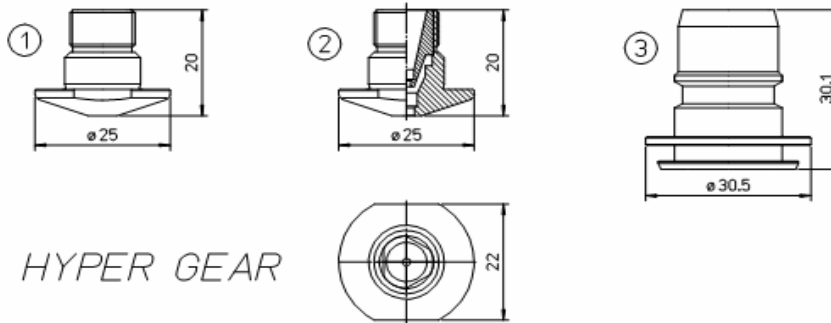


POS	ORIGINAL CODE	DESCRIPTION
1	281005-P0352-323-00010	MAZAK® NOZZLE Ø 1.0 ZK
	281005-P0352-323-00010	MAZAK® NOZZLE Ø 1.0 ZK
	281034-P0352-324-00012	MAZAK® NOZZLE Ø 1.2 ZK
	281034-P0352-324-00012	MAZAK® NOZZLE Ø 1.2 ZK
	281013-P0352-325-00015	MAZAK® NOZZLE Ø 1.5 ZK
	281013-P0352-325-00015	MAZAK® NOZZLE Ø 1.5 ZK
	280899-P0352-326-00018	MAZAK® NOZZLE Ø 1.8 ZK
	280899-P0352-326-00018	MAZAK® NOZZLE Ø 1.8 ZK
	350044.3-P0352-327-00020	MAZAK® NOZZLE Ø 2.0 ZK
	350044.3-P0352-327-00020	MAZAK® NOZZLE Ø 2.0 ZK
	P0352-328-00025	MAZAK® NOZZLE Ø 2.5 ZK
350044.3-P0352-327-00020	MAZAK® NOZZLE Ø 2.5 ZK	
2	281006-P0352-333-00010	MAZAK® NOZZLE Ø 1.0 KK
	281006-P0352-333-00010	MAZAK® NOZZLE Ø 1.0 KK
	281030-P0352.334.00012	MAZAK® NOZZLE Ø 1.2 KK
	281030-P0352.334.00012	MAZAK® NOZZLE Ø 1.2 KK
	281031-P0352.335.00015	MAZAK® NOZZLE Ø 1.5 KK
	281031-P0352.335.00015	MAZAK® NOZZLE Ø 1.5 KK
	280898-P0352.336.00018	MAZAK® NOZZLE Ø 1.8 KK
	280898-P0352.336.00018	MAZAK® NOZZLE Ø 1.8 KK
	P0352.336.00020	MAZAK® NOZZLE Ø 2.0 KK
	P0352.336.00020	MAZAK® NOZZLE Ø 2.0 KK



POS	ORIGINAL CODE	DESCRIPTION
1		MAZAK® NOZZLE Ø 1.0
		MAZAK® NOZZLE Ø 1.2
	46683301950	MAZAK® NOZZLE Ø 1.5
	46683301821	MAZAK® NOZZLE Ø 2.0
		MAZAK® NOZZLE Ø 2.2
	46683301960	MAZAK® NOZZLE Ø 2.5
	46683301970	MAZAK® NOZZLE Ø 3.0
		MAZAK® NOZZLE Ø 3.5
		MAZAK® NOZZLE Ø 4.0
		MAZAK® NOZZLE Ø 4.5
		MAZAK® NOZZLE Ø 1.0 CP
		MAZAK® NOZZLE Ø 1.2 CP
	46683301950	MAZAK® NOZZLE Ø 1.5 CP
	46683301821	MAZAK® NOZZLE Ø 2.0 CP
		MAZAK® NOZZLE Ø 2.2 CP

	46683301960	MAZAK® NOZZLE Ø 2.5 CP
	46683301970	MAZAK® NOZZLE Ø 3.0 CP
		MAZAK® NOZZLE Ø 3.5 CP
		MAZAK® NOZZLE Ø 4.0 CP
		MAZAK® NOZZLE Ø 4.5 CP
2	A. DESIGN	MAZAK® DOUBLE NOZZLE Ø 1.0
	A. DESIGN	MAZAK® DOUBLE NOZZLE Ø 1.2
	A. DESIGN	MAZAK® DOUBLE NOZZLE Ø 1.5
	A. DESIGN	MAZAK® DOUBLE NOZZLE Ø 1.8
	A. DESIGN	MAZAK® DOUBLE NOZZLE Ø 2.0
	A. DESIGN	MAZAK® DOUBLE NOZZLE Ø 2.2
	A. DESIGN	MAZAK® DOUBLE NOZZLE Ø 2.5
	A. DESIGN	MAZAK® DOUBLE NOZZLE Ø 3.0
	A. DESIGN	MAZAK® DOUBLE NOZZLE Ø 3.5
	A. DESIGN	
	A. DESIGN	MAZAK® DOUBLE NOZZLE Ø 1.0 CP
	A. DESIGN	MAZAK® DOUBLE NOZZLE Ø 1.2 CP
	A. DESIGN	MAZAK® DOUBLE NOZZLE Ø 1.5 CP
	A. DESIGN	MAZAK® DOUBLE NOZZLE Ø 1.8 CP
	A. DESIGN	MAZAK® DOUBLE NOZZLE Ø 2.0 CP
	A. DESIGN	MAZAK® DOUBLE NOZZLE Ø 2.2 CP
	A. DESIGN	MAZAK® DOUBLE NOZZLE Ø 2.5 CP
	A. DESIGN	MAZAK® DOUBLE NOZZLE Ø 3.0 CP
	A. DESIGN	MAZAK® DOUBLE NOZZLE Ø 3.5 CP



POS	ORIGINAL CODE	DESCRIPTION
1		MAZAK® NOZZLE Ø 1.0 CP
		MAZAK® NOZZLE Ø 1.2 CP
	46143304450	MAZAK® NOZZLE Ø 1.5 CP
	46143304460	MAZAK® NOZZLE Ø 2.0 CP
	46143304480	MAZAK® NOZZLE Ø 2.5 CP
	46143304490	MAZAK® NOZZLE Ø 3.0 CP
	46143304500	MAZAK® NOZZLE Ø 3.5 CP
		MAZAK® NOZZLE Ø 4.0 CP
2		MAZAK® DOUBLE NOZZLE Ø 1.2 CP
		MAZAK® DOUBLE NOZZLE Ø 1.5 CP
		MAZAK® DOUBLE NOZZLE Ø 2.0 CP
		MAZAK® DOUBLE NOZZLE Ø 2.5 CP
		MAZAK® DOUBLE NOZZLE Ø 3.0 CP
		MAZAK® DOUBLE NOZZLE Ø 3.5 CP
		MAZAK® DOUBLE NOZZLE Ø 4.0 CP
3	36143304450	MAZAK® NOZZLE HOLDER HYPER GEAR