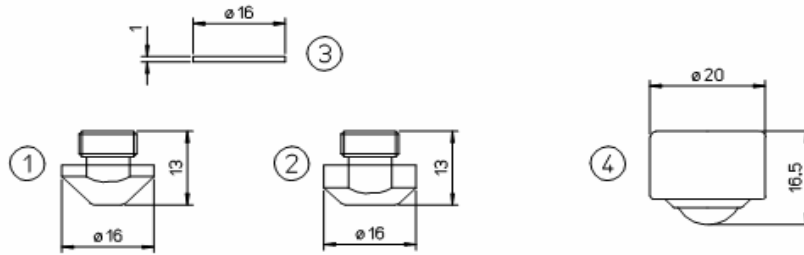
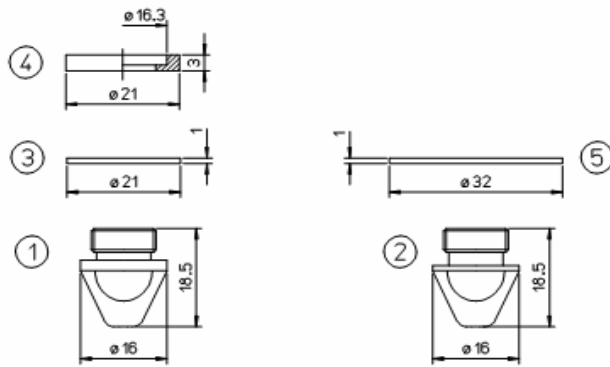


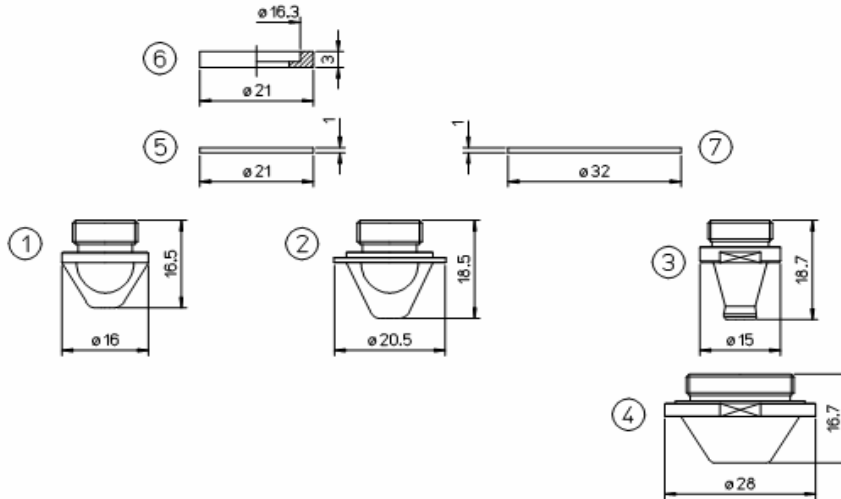
Picture #	Part Number	DESCRIPTION
1	L896X	AMADA® NOZZLE CLEAN CUT Ø 1.5
	L897X	AMADA® NOZZLE CLEAN CUT Ø 1.75
	L898X	AMADA® NOZZLE CLEAN CUT Ø 2.0
	L899X	AMADA® NOZZLE CLEAN CUT Ø 2.5
2	L81X	AMADA® NOZZLE Ø 1.3 CP
	L92X	AMADA® NOZZLE Ø 1.5 CP
	L93X	AMADA® NOZZLE Ø 1.8 CP
	L39X	AMADA® NOZZLE Ø 2.0 CP
3	L63X	AMADA® NOZZLE Ø 1.3 CP
	L91X	AMADA® NOZZLE Ø 1.5 CP
	L75X	AMADA® NOZZLE Ø 1.8 CP
	L29X	AMADA® NOZZLE Ø 2.0 CP
	L809X	AMADA® NOZZLE Ø 2.5 CP
	L808X	AMADA® NOZZLE Ø 3.0 CP
4	L297X	AMADA® NOZZLE Ø 1.3 CP
	L298X	AMADA® NOZZLE Ø 1.5 CP
	L299X	AMADA® NOZZLE Ø 1.8 CP
	L300X	AMADA® NOZZLE Ø 2.0 CP
	L301X	AMADA® NOZZLE Ø 3.0 CP
5	L85X	AMADA® NOZZLE Ø 1.0 CP
	L94X	AMADA® NOZZLE Ø 1.25 CP
	L95X	AMADA® NOZZLE Ø 1.5 CP
	L96X	AMADA® NOZZLE Ø 1.75 CP
	L38X	AMADA® NOZZLE Ø 2.0 CP
6	L30X	AMADA® NOZZLE OUTER CP
7	AL90	AMADA® O-RING FOR NOZZLE S-20 - 10 PCS
8	AL96	AMADA® O-RING FOR NOZZLE OUTER
9	AL32	AMADA® DRAIN DISK WITH HOLE
	AL33	AMADA® DRAIN DISK W/CONICAL HOLE



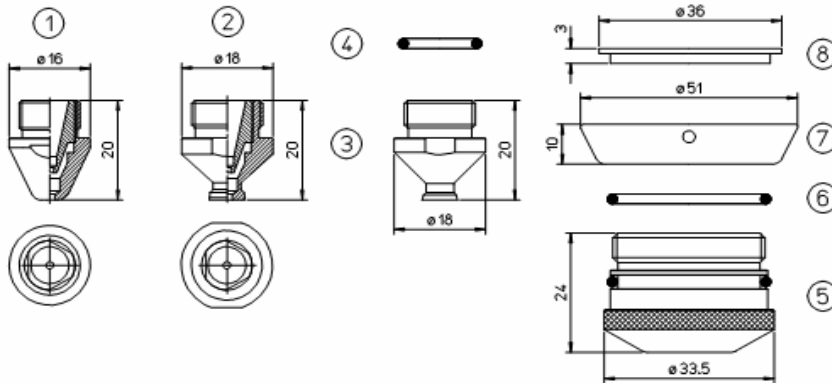
Picture #	Part Number	DESCRIPTION
1	L171X	AMADA® NOZZLE Ø 1.0 CP
	L30171X	AMADA® NOZZLE Ø 1.0 CP
	L172X	AMADA® NOZZLE Ø 1.25 CP
	L30172X	AMADA® NOZZLE Ø 1.25 CP
	L173X	AMADA® NOZZLE Ø 1.5 CP
	L30173X	AMADA® NOZZLE Ø 1.5 CP
	L174X	AMADA® NOZZLE Ø 1.75 CP
	L30174X	AMADA® NOZZLE Ø 1.75 CP
	L27X	AMADA® NOZZLE Ø 2.0 CP
	L3027X	AMADA® NOZZLE Ø 2.0 CP
	L175X	AMADA® NOZZLE Ø 2.5 CP
	L30175X	AMADA® NOZZLE Ø 2.5 CP
	L28X	AMADA® NOZZLE Ø 3.0 CP
	L3028X	AMADA® NOZZLE Ø 3.0 CP
2	L750X	AMADA® NOZZLE Ø 1.0 CP
	L30750X	AMADA® NOZZLE Ø 1.0 CP
	L751X	AMADA® NOZZLE Ø 1.25 CP
	L30751X	AMADA® NOZZLE Ø 1.25 CP
	L752X	AMADA® NOZZLE Ø 1.5 CP
	L30752X	AMADA® NOZZLE Ø 1.5 CP
	L753X	AMADA® NOZZLE Ø 1.75 CP
	L30753X	AMADA® NOZZLE Ø 1.75 CP
	L754X	AMADA® NOZZLE Ø 2.0 CP
	L30754X	AMADA® NOZZLE Ø 2.0 CP
	L755X	AMADA® NOZZLE Ø 2.5 CP
	L30755X	AMADA® NOZZLE Ø 2.5 CP
L756X	AMADA® NOZZLE Ø 3.0 CP	
L30756X	AMADA® NOZZLE Ø 3.0 CP	
3	AL107	AMADA® DISC HEAD PROTECTION Ø 16 PLASTIC
4	AL31	AMADA® WORKHOLDER Ø 20



Picture #	Part Number	DESCRIPTION
1	L134X	AMADA® NOZZLE Ø 1.0 CP
	L30134X	AMADA® NOZZLE Ø 1.0 CP
	L135X	AMADA® NOZZLE Ø 1.25 CP
	L30135X	AMADA® NOZZLE Ø 1.25 CP
	L86X	AMADA® NOZZLE Ø 1.5 CP
	L3086X	AMADA® NOZZLE Ø 1.5 CP
	L136X	AMADA® NOZZLE Ø 1.75 CP
	L30136X	AMADA® NOZZLE Ø 1.75 CP
	L137X	AMADA® NOZZLE Ø 2.0 CP
	L30137X	AMADA® NOZZLE Ø 2.0 CP
	L203X	AMADA® NOZZLE Ø 2.5 CP
	L30203X	AMADA® NOZZLE Ø 2.5 CP
	L138X	AMADA® NOZZLE Ø 3.0 CP
	L30138X	AMADA® NOZZLE Ø 3.0 CP
	L339X	AMADA® NOZZLE Ø 4.0 CP
	L30339X	AMADA® NOZZLE Ø 4.0 CP
	L763X	AMADA® NOZZLE Ø 5.0 CP
L30763X	AMADA® NOZZLE Ø 5.0 CP	
2	L192X	AMADA® NOZZLE Ø 1.0 CP
	L30192X	AMADA® NOZZLE Ø 1.0 CP
	L193X	AMADA® NOZZLE Ø 1.25 CP
	L30193X	AMADA® NOZZLE Ø 1.25 CP
	L194X	AMADA® NOZZLE Ø 1.5 CP
	L30194X	AMADA® NOZZLE Ø 1.5 CP
	L195X	AMADA® NOZZLE Ø 1.75 CP
	L30195X	AMADA® NOZZLE Ø 1.75 CP
	L196X	AMADA® NOZZLE Ø 2.0 CP
	L30196X	AMADA® NOZZLE Ø 2.0 CP
	L197X	AMADA® NOZZLE Ø 2.5 CP
	L30197X	AMADA® NOZZLE Ø 2.5 CP
	L198X	AMADA® NOZZLE Ø 3.0 CP
	L30198X	AMADA® NOZZLE Ø 3.0 CP
3	AL1005	AMADA® DISC HEAD PROTECTION Ø 21 PLASTIC
	AL122	AMADA® DISC HEAD PROTECTION Ø 21 VESPEL
4	AL123	AMADA® CERAMIC DISC HEAD PROTECTION Ø21
5	AL42	AMADA® DISK HEAD PROTECTION Ø 32 PLASTIC

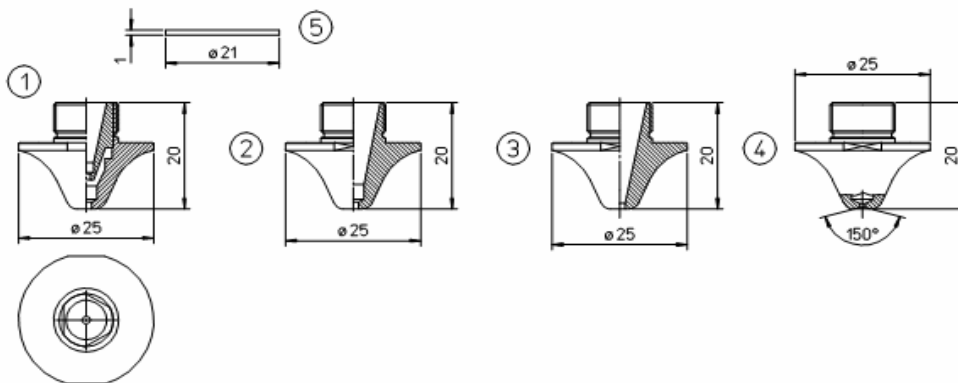


Picture #	Part Number	DESCRIPTION
1	L338X	AMADA® NOZZLE Ø 3.0 CP - SHORT
2	L1066X L1068X	AMADA® NOZZLE Ø 2.0 LARGE FLANGE AMADA® NOZZLE Ø 3.0 LARGE FLANGE
3	L926X L927X L928X L929X L930X L931X L932X	AMADA® NOZZLE HP-X Ø 0.8 CP AMADA® NOZZLE HP-X Ø 1.0 CP AMADA® NOZZLE HP-X Ø 1.2 CP AMADA® NOZZLE HP-X Ø 1.5 CP AMADA® NOZZLE HP-X Ø 2.0 CP AMADA® NOZZLE HP-X Ø 2.5 CP AMADA® NOZZLE HP-X Ø 3.0 CP
4	AL220X	AMADA® NOZZLE OUTER HP-X CP
5	AL1005 AL122	AMADA® DISC HEAD PROTECTION Ø 21 PLASTIC AMADA® DISC HEAD PROTECTION Ø 21 VESPEL
6	AL123	AMADA® CERAMIC DISC HEAD PROTECTION Ø21
7	AL42	AMADA® DISK HEAD PROTECTION Ø 32 PLASTIC



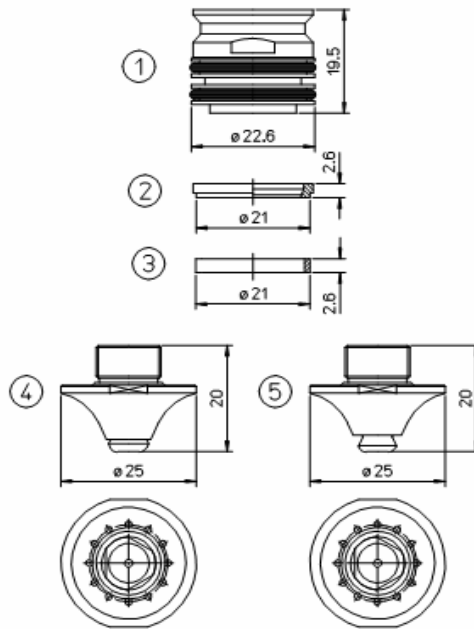
Picture #	Part Number	DESCRIPTION
	L390X	AMADA® DOUBLE NOZZLE Ø 1.0 CP

1	L392X	AMADA® DOUBLE NOZZLE Ø 1.2 CP
	L393X	AMADA® DOUBLE NOZZLE Ø 1.4 CP
	L391X	AMADA® DOUBLE NOZZLE Ø 1.5 CP
	L315X	AMADA® DOUBLE NOZZLE Ø 2.0 CP
	L316X	AMADA® DOUBLE NOZZLE Ø 2.5 CP
	L317X	AMADA® DOUBLE NOZZLE Ø 3.0 CP
	L768X	AMADA® DOUBLE NOZZLE Ø 3.5 CP
	L319X	AMADA® DOUBLE NOZZLE Ø 3.8 CP
	L318X	AMADA® DOUBLE NOZZLE Ø 4.0 CP
2	L387X	AMADA® DOUBLE NOZZLE Ø 1.0 CP
	L386X	AMADA® DOUBLE NOZZLE Ø 1.2 CP
	L389X	AMADA® DOUBLE NOZZLE Ø 1.4 CP
	L388X	AMADA® DOUBLE NOZZLE Ø 1.5 CP
	L764X	AMADA® DOUBLE NOZZLE Ø 1.7 CP
	L320X	AMADA® DOUBLE NOZZLE Ø 2.0 CP
	L321X	AMADA® DOUBLE NOZZLE Ø 2.5 CP
	L322X	AMADA® DOUBLE NOZZLE Ø 3.0 CP
	L323X	AMADA® DOUBLE NOZZLE Ø 3.8 CP
	L330X	AMADA® DOUBLE NOZZLE Ø 4.0 CP
3	L384X	AMADA® NOZZLE Ø 1.0 CP
	L765X	AMADA® NOZZLE Ø 1.2 CP
	L766X	AMADA® NOZZLE Ø 1.4 CP
	L385X	AMADA® NOZZLE Ø 1.5 CP
	L324X	AMADA® NOZZLE Ø 2.0 CP
	L325X	AMADA® NOZZLE Ø 2.5 CP
	L326X	AMADA® NOZZLE Ø 3.0 CP
	L327X	AMADA® NOZZLE Ø 3.8 CP
L767X	AMADA® NOZZLE Ø 4.0 CP	
4	AL93	AMADA® O'RING FOR NOZZLE - 10 PCS
5	AL115X	AMADA® NOZZLE OUTER CP
6	AL94	AMADA® O'RING FOR NOZZLE OUTER
7	AL180	AMADA® GUARD NUT
8	AL181	AMADA® GUARD RING

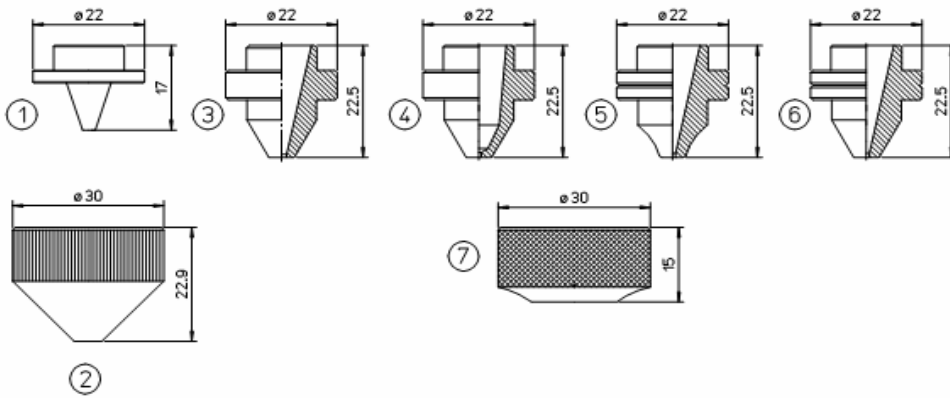


Picture #	Part Number	DESCRIPTION
1	L585X	AMADA® DOUBLE NOZZLE Ø 1.2 CP
	L586X	AMADA® DOUBLE NOZZLE Ø 1.4 CP
	L574X	AMADA® DOUBLE NOZZLE Ø 1.7 CP
	L587X	AMADA® DOUBLE NOZZLE Ø 2.0 CP
	L584X	AMADA® DOUBLE NOZZLE Ø 2.5 CP
	L588X	AMADA® DOUBLE NOZZLE Ø 3.0 CP
	L589X	AMADA® DOUBLE NOZZLE Ø 4.0 CP
	L583X	AMADA® DOUBLE NOZZLE Ø 5.0 CP
	L569X	AMADA® DOUBLE NOZZLE Ø 6.0 CP
	L568X	AMADA® DOUBLE NOZZLE SHORT Ø 6.0 CP
	L590X	AMADA® NOZZLE Ø 0.8 CP
	L591X	AMADA® NOZZLE Ø 1.0 CP
	L592X	AMADA® NOZZLE Ø 1.2 CP

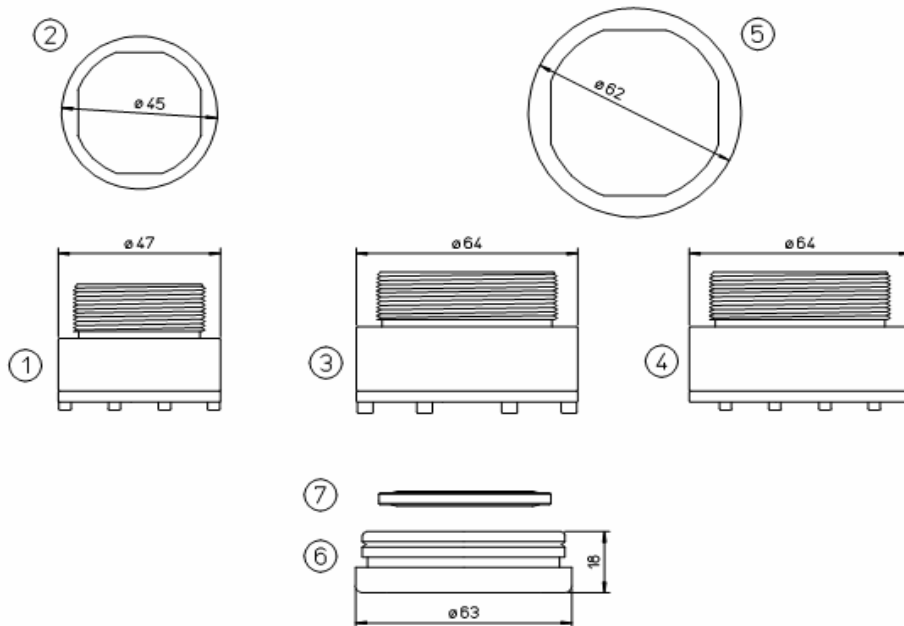
2	L593X	AMADA® NOZZLE Ø 1.4 CP
	L597X	AMADA® NOZZLE Ø 1.5 CP
	L594X	AMADA® NOZZLE Ø 2.0 CP
	L595X	AMADA® NOZZLE Ø 3.0 CP
	L596X	AMADA® NOZZLE Ø 4.0 CP
3	L599X	AMADA® NOZZLE STRAIGHT TAPER Ø 1.5 CP
	L598X	AMADA® NOZZLE STRAIGHT TAPER Ø 2.0 CP
4	L1031X	AMADA® DOUBLE NOZZLE Ø 1.4 CP W/CONCAVE
	L1024X	AMADA® NOZZLE Ø 0.8 CP W/CONCAVE
	L1025X	AMADA® NOZZLE Ø 1.0 CP W/CONCAVE
	L1026X	AMADA® NOZZLE Ø 1.2 CP W/CONCAVE
5	AL1005	AMADA® DISC HEAD PROTECTION Ø 21 PLASTIC
	AL122	AMADA® DISC HEAD PROTECTION Ø 21 VESPEL



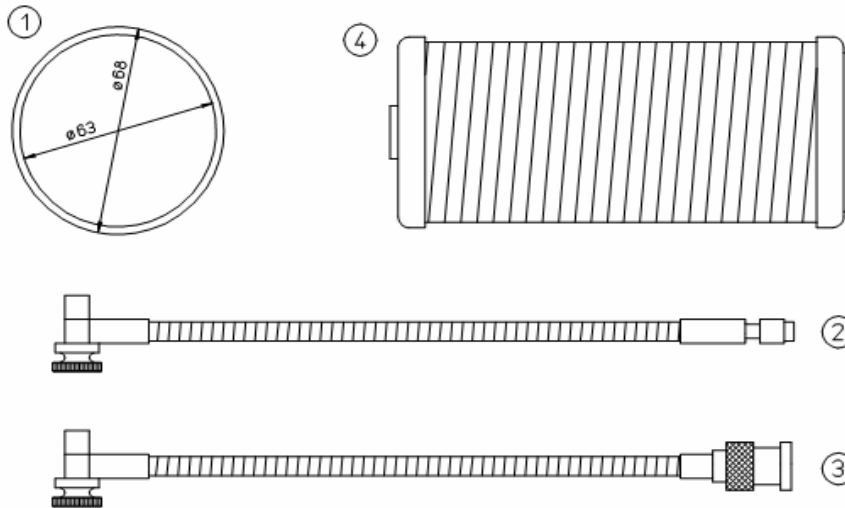
Picture #	Part Number	DESCRIPTION
1	AL248	AMADA® NOZZLE ADAPTOR WITH HOLES
	AL268	AMADA® KIT O-RINGS FOR AL248
2	AL233	AMADA® TEFLON O-RING FOR WATER COOLED SYST. RIGID VERSION
3	AL234	AMADA® TEFLON RING FOR WATER COOLED SYSTEM
4	L1155X	AMADA® DOUBLE NOZZLE Ø 2.5 CP WITH HOLES
	L1159X	AMADA® DOUBLE NOZZLE Ø 4.0 CP WITH HOLES
5	L1041X	AMADA® DOUBLE NOZZLE Ø 1.4 CP WITH HOLES
	L1043X	AMADA® DOUBLE NOZZLE Ø 1.7 CP WITH HOLES
	L1044X	AMADA® DOUBLE NOZZLE Ø 2.0 CP WITH HOLES
	L1045X	AMADA® DOUBLE NOZZLE Ø 2.5 CP WITH HOLES
	L1049X	AMADA® DOUBLE NOZZLE Ø 4.0 CP WITH HOLES
	L1050X	AMADA® DOUBLE NOZZLE Ø 5.0 CP WITH HOLES



Picture #	Part Number	DESCRIPTION
1	L1119	AMADA® DOUBLE NOZZLE 8 HOLES
	L1123	AMADA® DOUBLE NOZZLE 24 HOLES
2	AL238	AMADA® - MITSUBISHI® SHIELD CUP SHORT
3	L1134	AMADA® - MITSUBISHI® NOZZLE Ø 1.5
	L1135	AMADA® - MITSUBISHI® NOZZLE Ø 2.0
	L1136	AMADA® - MITSUBISHI® NOZZLE Ø 2.5
	L1137	AMADA® - MITSUBISHI® NOZZLE Ø 3.0
	L1138	AMADA® - MITSUBISHI® NOZZLE Ø 3.5
4	L1125	AMADA® - MITSUBISHI® HV NOZZLE Ø1.0
	L1128	AMADA® - MITSUBISHI® HV NOZZLE Ø2.5
	L1129	AMADA® - MITSUBISHI® HV NOZZLE Ø3.0
5	L1130	AMADA® - MITSUBISHI HV NOZZLE Ø 1.2 WITH RADIUS
6	L1132	AMADA® - MITSUBISHI® HV NOZZLE Ø1.7
7	AL269	AMADA® - MITSUBISHI® NOZZLE NUT SHORT



Picture #	Part Number	DESCRIPTION
	LT85	AMADA® LENS Ø1.5 FL5.0 ASSY
	LT95	AMADA® LENS Ø1.5 FL7.5 ASSY
	A100	AMADA® MOUNT FOR LENS Ø 1.5
2	AL52	AMADA® GASKET TEFLON - LENS HOUSING Ø1.5
3	LT105	AMADA® LENS Ø2.0 FL5.0 ASSY
	LT110	AMADA® LENS Ø2.0 FL7.5 ASSY
	LT115	AMADA® LENS Ø2.0 FL 10 ASSY
	A105	AMADA® MOUNT FOR LENS Ø 2.0
4	LT205	AMADA® LENS Ø1.5 FL5.0 HP ASSY FOR F.O.
	LT210	AMADA® LENS Ø1.5 FL7.5 HP ASSY FOR F.O.
	A107	AMADA® MOUNT FOR LENS Ø1.5 F.O. ALUMINIUM
5	AL149	AMADA® GASKET TEFLON - LENS HOUSING Ø2.0
6	LT300	AMADA® Ø 1.5" FL5.0" ET 7.4MM MENISCUS MP5 ASSY FO NT
	LT305	AMADA® Ø 1.5" FL5.0" ET 7.6MM PO/CX ASSY FO NT
	LT310	AMADA® Ø 1.5" FL7.5" ET 7.6MM PO/CX ASSY FO NT
	LT315	AMADA® Ø 1.5" FL10.0" ET7.6MM PO/CX ASSY FO NT
	A109	AMADA® MOUNT FOR LENS FL 5.0" FO NT
	A112	AMADA® MOUNT FOR LENS FL 7.5" FO NT
7	AL249	AMADA® GASKET FOR LENS FO NT



Picture #	Part Number	DESCRIPTION
1	AL56	AMADA® GASKET TEFLON FOR SENSOR HEAD
2	AL200	AMADA® CONNECTING CABLE HS 5
3	AL260	AMADA® CONNECTING CABLE HS-15 FO

OILS AND FILTERS	
SA-H	AMADA® - MAZAK® OIL VACUUM PUMP - L 1
Y91350/1	AMADA® OIL TURBO BLOWER - ML 200I
71232023	AMADA®- MAZAK® FILTER VACUUM PUMP